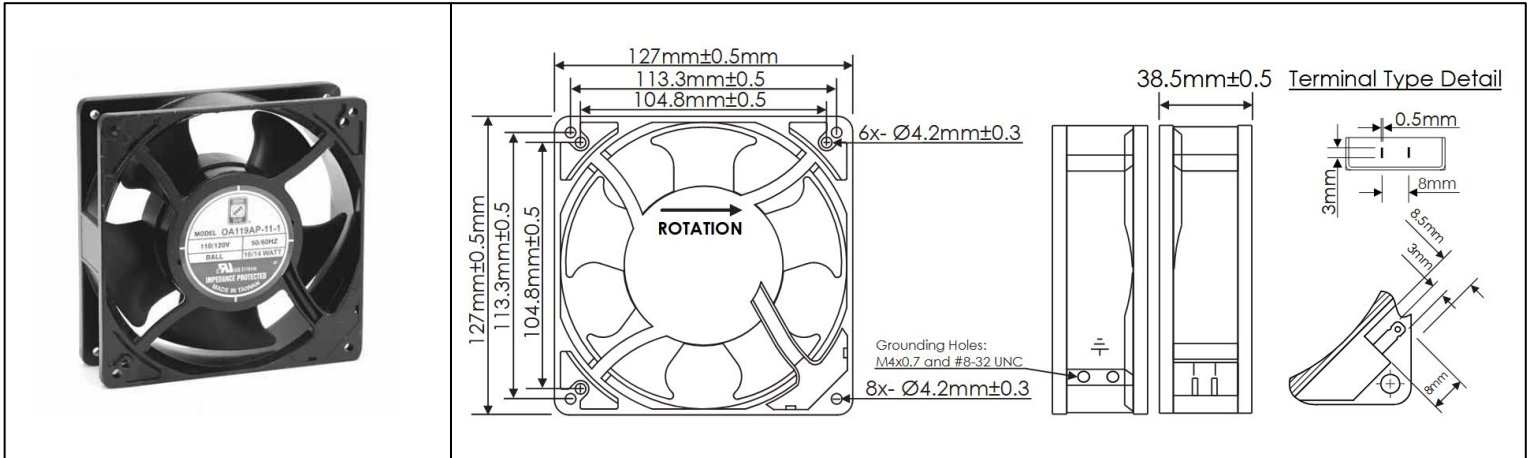


# OA119AP Series



AC Fans - 115, 230V  
127mm x 38.5mm (5.00" x 1.52")



|                              |   |   |  |
|------------------------------|---|---|--|
| <b>Frame</b>                 | Die Cast Aluminum, Black Finish           | <b>Operating Temperature</b><br>-20°C ~ +75°C (Ball Bearing)<br>-10°C ~ +50°C (Sleeve Bearing)<br><br><b>Storage Temperature</b><br>-40°C ~ +85°C<br><br><b>Life Expectancy</b><br>Ball Bearing:<br>85,000 Hours (L10 at 45°C)<br>Sleeve Bearing:<br>30,000 Hours (L10 at 45°C)<br><br><b>Available Options</b><br>IP / Salt Fog Ratings<br>Tachometer Output<br><br>Weight: 1.3 lbs. |  |
| <b>Impeller</b>              | PBT, UL94 V-0 Plastic                     |   |  |
| <b>Power Connection</b>      | 2x Lead Wires, 22 AWG 300mm, or Terminals |   |  |
| <b>Motor</b>                 | AC Shaded Pole, Impedance Protected       |   |  |
| <b>Bearing System</b>        | Ball, or Sleeve                           |   |  |
| <b>Dielectric Strength</b>   | 1500VAC/min, <1mA                         |   |  |
| <b>Insulation Resistance</b> | ≥10MΩ @ 500V DC                           |   |  |

| Part Number   | Rated Voltage (Volts AC) | Voltage Range (Volts AC) | Frequency (Hertz) | Input Power (Watts)(Max) | Rated Speed (RPM) | Max Airflow (CFM) | Noise Level (dBA) | Max Static Pressure ("H <sub>2</sub> O) |
|---------------|--------------------------|--------------------------|-------------------|--------------------------|-------------------|-------------------|-------------------|---|
| OA119AP-11-1* | 115                      | 100 ~ 125                | 50 / 60           | 14 (25)                  | 2725              | 130               | 46.1              | 0.24                                    |
| OA119AP-11-2* | 115                      | 100 ~ 125                | 50 / 60           | 10 (17)                  | 2300              | 95                | 37.4              | 0.15                                    |
| OA119AP-11-3* | 115                      | 100 ~ 125                | 50 / 60           | 7 (9)                    | 1400              | 74                | 28.2              | 0.10                                    |
| OA119AP-22-1* | 230                      | 200 ~ 250                | 50 / 60           | 14 (25)                  | 2725              | 130               | 46.1              | 0.24                                    |
| OA119AP-22-2* | 230                      | 200 ~ 250                | 50 / 60           | 10 (17)                  | 2300              | 95                | 37.4              | 0.15                                    |
| OA119AP-22-3* | 230                      | 200 ~ 250                | 50 / 60           | 7 (9)                    | 1400              | 74                | 28.2              | 0.10                                    |

\* Indicate "TB" (Terminal Ball Bearing), "WB" (Wire Leads, Ball Bearing), "TS" (Terminal, Sleeve Bearing), "WS" (Wire Leads, Sleeve Bearing).  
\* Table and PQ graph shows 60Hz values.